



INSTALLATION AND OPERATION MANUAL

CNFE4+1SMS(M,S)2

FOUR PORT 10/100T(X) + ONE PORT 100FX
ETHERNET SELF-MANAGED SWITCH

The ComNet™ CNFE4+1SMS(M,S)2 is a five-port self-managed Ethernet switch with uplink management functionality. It provides four ports operating at 10/100Mbps and is designed to combine Ethernet data from the four electrical ports into a single optical port and forward that data to the next network device, using two-fiber ST or SC optical connectors. There is no programming required to use this switch. The ComNet CNFE4+1SMS comes pre-programmed, preventing network video flooding with DIP switch selection of the fiber port as uplink or as an unmanaged switch. It is "Plug-and-Play" easy to use.

LED indicators confirm the operating status of this device. See **Figure 4** on **Page 3** for an explanation of the indicators.

The ComNet CNFE4+1SMS may be either wall mounted, rack mounted ("ComFit" packaging) or DIN-rail mounted with the use of the ComNet DINBKT1 adapter. See **Figure A** on **Page 4** for mounting instructions.

See **Figures 1 - 5** for complete installation details.

FIGURE 1 - CNFE4+1SMS

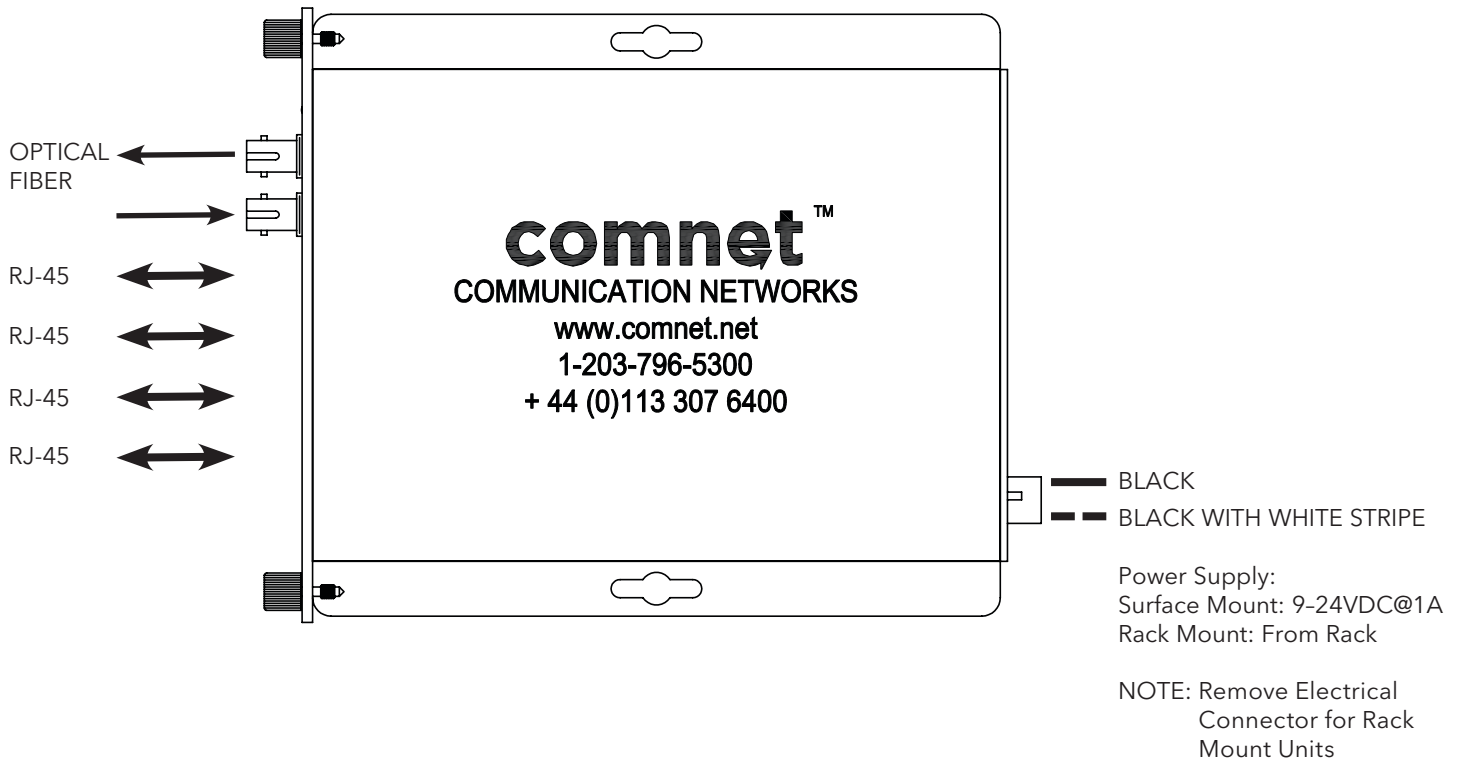


FIGURE 2 - CNFE4+1SMS

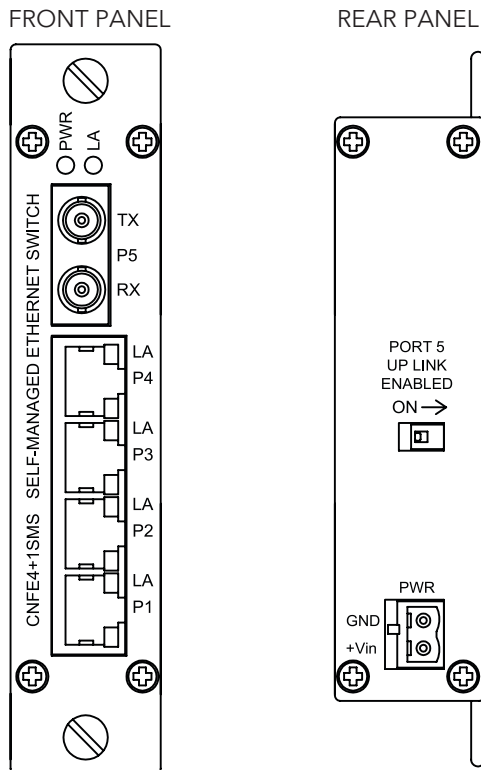


FIGURE 3 - UPLINK SWITCH SETTINGS



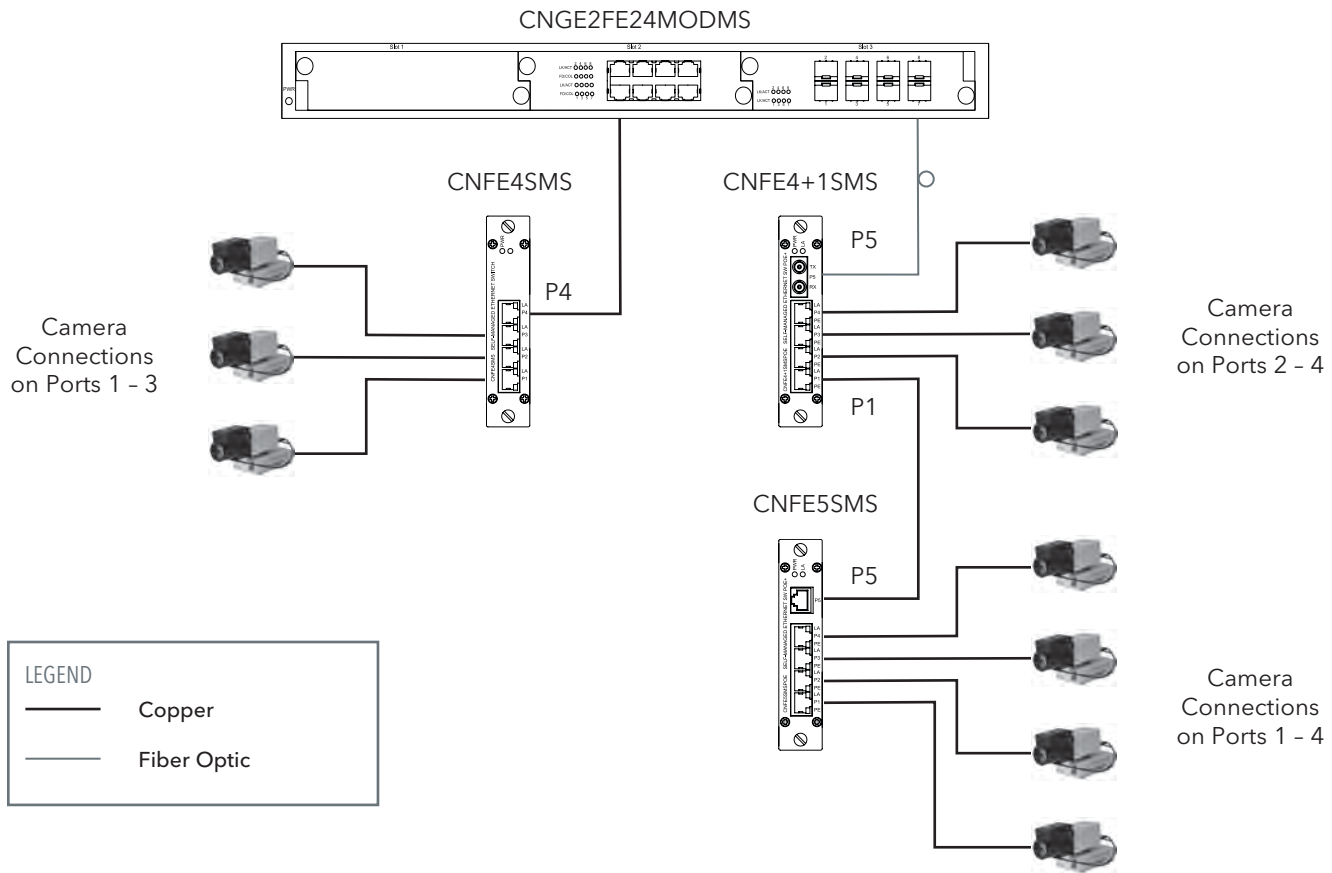
| EFFECT | UPLINK |
|-----------------|--------|
| Uplink Enabled | ON |
| Uplink Disabled | OFF |

FIGURE 4 - LED INDICATORS

| | LINK (P5) | LINK (P1 - P4) | PWR |
|-----------------|---------------|----------------|-------------------|
| SOLID | Link Up | Link Up | Power Applied |
| BLINKING | Data Activity | Data Activity | - |
| OFF | No Data Link | No Data Link | Power Not Applied |

FIGURE 5 - APPLICATION DIAGRAM WITH MULTICAST TRAFFIC

IGMP Enabled on CNGE2FE24MODMS, Uplink enabled on the units



MECHANICAL INSTALLATION INSTRUCTIONS

INSTALLATION CONSIDERATIONS

This switch is supplied as a Standalone/Rack module. Units should be installed in dry locations protected from extremes of temperature and humidity.

C1-US, C1-EU, C1-AU OR C1-CH CARD CAGE RACKS

CAUTION: Although the units are hot-swappable and may be installed without turning power off to the rack, ComNet recommends that the power supply be turned off and that the rack power supply is disconnected from any power source. **Note:** Remove electrical connector before installing in card cage rack.

1. Make sure that the card is oriented right side up, and slide it into the card guides in the rack until the edge connector at the back of the card seats in the corresponding slot in the rack's connector panel. Seating may require thumb pressure on the top and bottom of the card's front panel.

CAUTION: Take care not to press on any of the LEDs.

2. Tighten the two thumb screws on the card until the front panel of the card is seated against the front of the rack.

WARNING: Unit is to be used with a Listed Class 2 or LPS power supply.

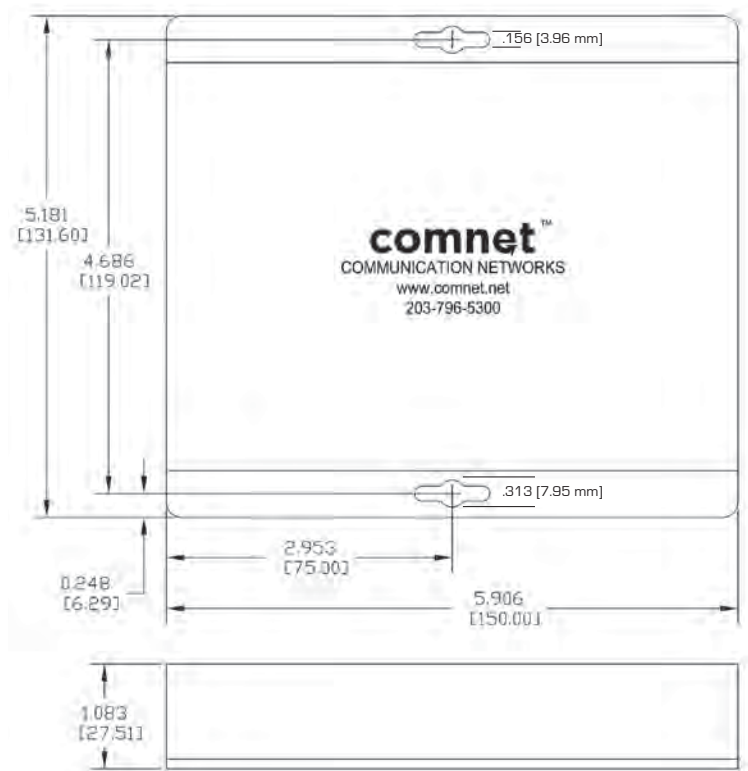
IMPORTANT SAFEGUARDS:

A) Elevated Operating Ambient - If installed in a closed or multi-unit rack assembly, the operating ambient temperature of the rack environment may be greater than room ambient. Therefore, consideration should be given to installing the equipment in an environment compatible with the maximum ambient temperature (T_{ma}) specified by the manufacturer.

B) Reduced Air Flow - Installation of the equipment in a rack should be such that the amount of air flow required for safe operation of the equipment is not compromised.

FIGURE A

Dimensions are for a standard ComNet™ one slot module



MADE IN THE
USA

comnet
Communication Networks

3 CORPORATE DRIVE | DANBURY, CT 06810 | USA
T: 203.796.5300 | F: 203.796.5303 | TECH SUPPORT: 1.888.678.9427 | INFO@COMNET.NET
8 TURNBERRY PARK ROAD | GILDERSOME | MORLEY | LEEDS, UK LS27 7LE
T: +44 (0)113 307 6400 | F: +44 (0)113 253 7462 | INFO-EUROPE@COMNET.NET